

2.92mm

DC - 40GHz, Two-hole Flange Launchers & Glass Bead

DESCRIPTION

"KPC292M302 and KPC292F302" Two-hole Flange launcher connectors and "GB292" glass bead are designed for broadband devices and units with coaxial I/O interfaces.

SPECIFICATIONS:

Connectors

Electrical:

Frequency Range DC - 40 GHz
Return Loss >15 dB(*)
Temperature Range -55 to +125 deg.C

Mechanical:

Body and Outer Conductors:
-Passivated Stainless steel
Inner Conductors:
-Gold Plated Beryllium Copper and Brass
Coupling Torque 90 N-cm(Nominal)
Connect/Disconnect Life >1,000 Cycles

Glass Bead

Electrical:

Frequency Range DC - 40 GHz
Temperature Range -55 to +125 deg.C

Mechanical:

Outer and inner Conductors:
-Gold Plated(**) Fe/Ni/Co Alloy (KOVAR)
Insulator: #7070 Glass(Corning)

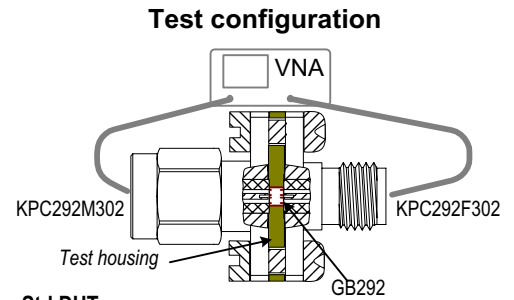
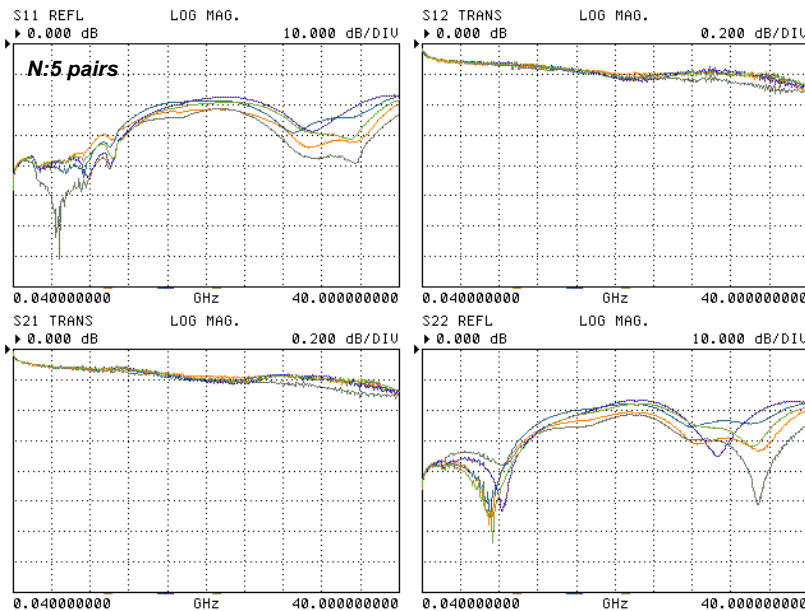
Others:

Soldering temperature 330 deg.C(max)
He leak rate 1×10^{-10} Pa·m³/sec



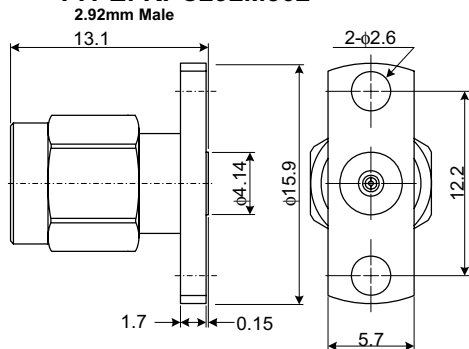
Production Status
Two weeks Lead-Time will be available for shipping.

Typical Performance Note: (*) As std DUT configuration

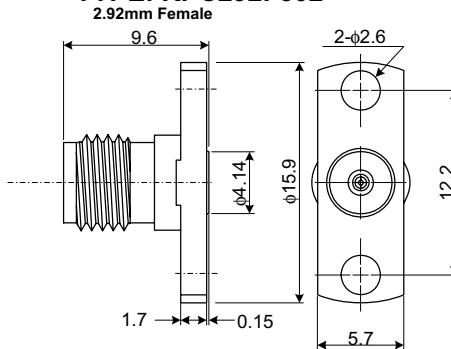


Std DUT:
Cascaded KPC292M302, GB292 and KPC292F302

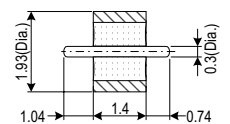
TYPE: KPC292M302



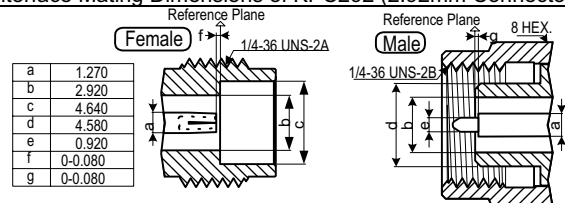
TYPE: KPC292F302



TYPE: GB292 Glass Bead



Interface Mating Dimensions of KPC292 (2.92mm Connectors)



Note:
- All dimensions are in Millimeters.
- (**) Thermo-Sonic wire bondable gold plating

Specifications Subject to Change Without Notice.

Copyright(C) 2005 KAWASHIMA Mfg. Co., Ltd. All rights reserved.

292/302GB Rev.01 Dec.2005



Kawashima Manufacturing Co., Ltd.

1-3-5 Higashiikuta, Tama-ku,
Kawasaki 214-0031 JAPAN

TEL: +81-44-911-7073 FAX: +81-44-911-9621
http://www.kmco.biz/ e-mail: sales@kmco.co.jp