

1.85mm/1.85mm

# DC - 65GHz, Coaxial Panel Adapters For Front Access Ports

## DESCRIPTION

This "KPC185MF FPA" called coaxial front panel adapter that easy to mate, low SWR and low loss, are designed for frequently connect/disconnect accessed broadband measurement, instrument and system use.

## SPECIFICATIONS:

### Electrical:

Frequency Range	DC - 65 GHz
SWR	<1.3
Insertion Loss	<0.5 dB
Electrical Length	Below (Nominal)
Temperature Range	-55 to +125 deg.C

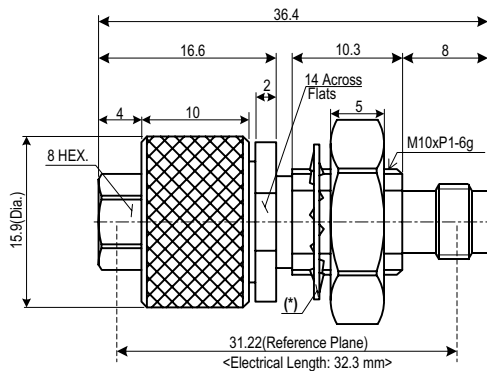
### Mechanical:

Body:	Passivated Stainless steel (*)
Outer Conductors:	Gold Plated Stainless steel
Inner Conductors:	Gold Plated Beryllium Copper
Coupling Torque	90 N-cm(Nominal)
Connect/Disconnect Life	>1,000 Cycles

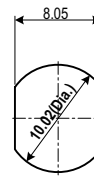


**Production Status**  
Three weeks Lead-Time will be available for shipping.

## TYPE: KPC185MF FPA 1.85mm Male/1.85mm Female



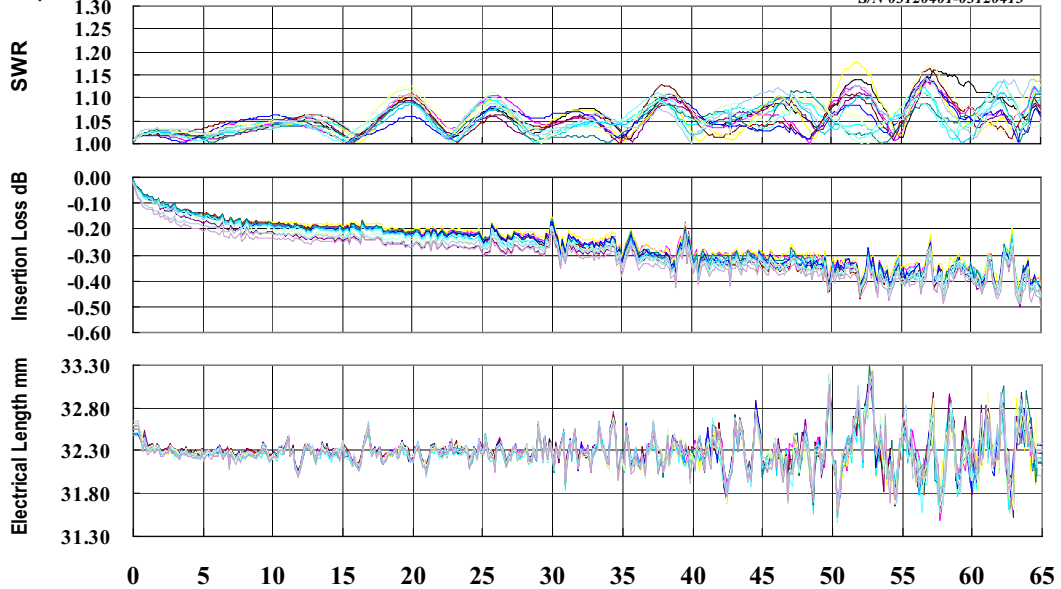
Mounting Hole and Thickness (Recommended)



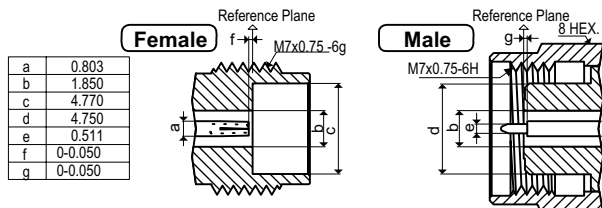
Thickness: 2 to 5.4mm

## Typical Performance

No. of Samples:13pcs



## Interface Mating Dimensions of KPC185MF FPA (1.85mm Connectors<\*>)



Note:  
- All dimensions are in Millimeters.  
- (\*)The toothed lockwasher is nickel plated steel.

<> Matable with 2.4mm Connectors

Specifications Subject to Change Without Notice.

Copyright(C) 2002-2004 KAWASHIMA Mfg. Co., Ltd. All rights reserved.

185MF FPA Rev.01 Apr.2006